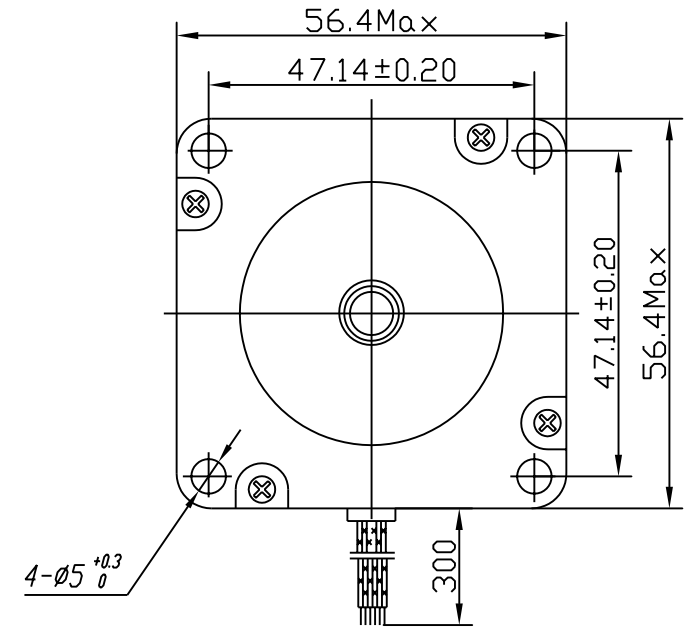
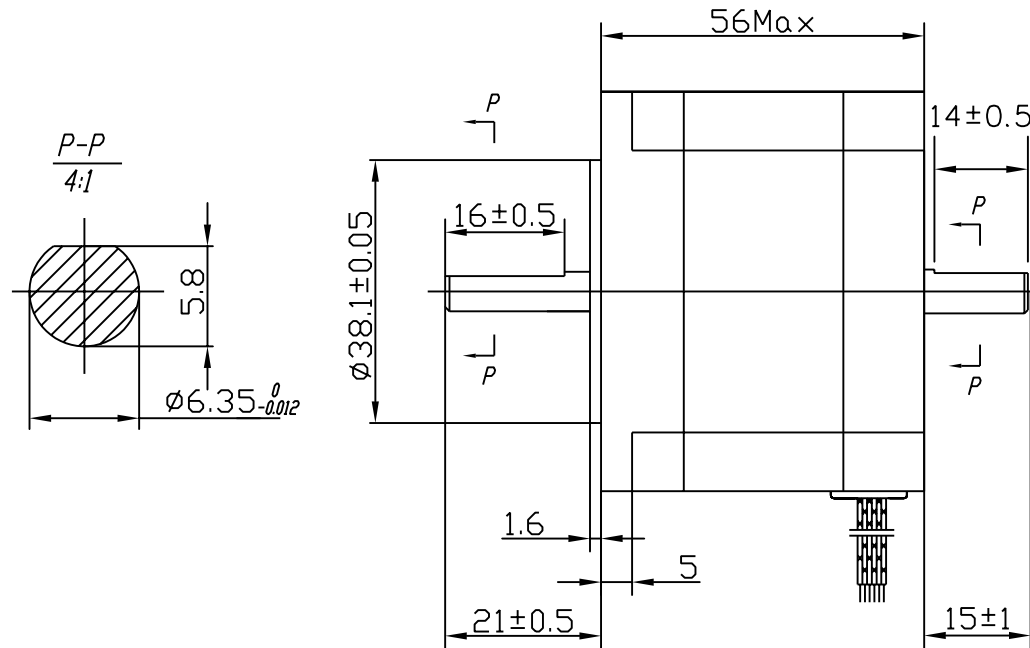


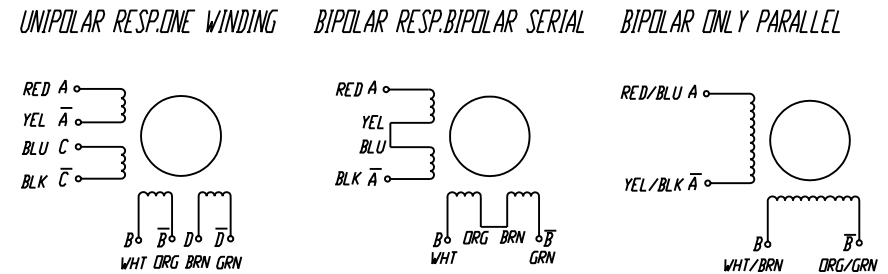
□ DIMENSIONS



□ SPECIFICATIONS unit=mm

PHASE	2	PHASE		
STEP ANGLE	1.8±5%	°/STEP		
DETENT TORQUE	3.0	N.cm Max		
INSULATION CLASS	B			
LEAD STYLE	AWG22 UL1007			
	UNIPOLAR RESP.ONE WINDING	BIPOLAR RESP.BIPOLAR SERIAL	BIPOLAR ONLY PARALLEL	
CURRENT	2.1 A/PHASE	1.48 A/PHASE	3.0 A/PHASE	
RESISTANCE	1.23 ±10% Ω/PHASE	1.46 ±10% Ω/PHASE	0.62 ±10% Ω/PHASE	
INDUCTANCE	2.1 ±20% mH/PHASE	8.4 ±20% mH/PHASE	2.1 ±20% mH/PHASE	
HOLDING TORQUE	90 N.cm Min	128 N.cm Min	128 N.cm Min	

□ COLORS OF LEAD WIRES BIPOLAR & UNI-POLAR



HobbyCNC.com

23-130-DS8

SPECIFICATION

REV	QTY.	NO.	SIG.	DT.
DESIGN		CHECK		
PROC.		APPR.		
			CLS.MAK	WEIGHE
			SCALE	
			EDIT.	PAGE OF PAGES